

QUALITY ACRYLIC BATHS MANUFACTURED IN ENGLAND

BATH FIXING INSTRUCTIONS for LUXURY & SHAPED BATHS

PLEASE NOTE

- Before fixing any bath or panel - remove ALL protective covering and examine carefully. The polythene film must be removed in full and the bath checked for any visible damage.
- Check that colour match is acceptable to sanitaryware and panel.

Any refixing costs or claims for wrong colour match, and/or any other faults will not be accepted - **AFTER FIXING**

ATTENTION!
REMOVE FILM PRIOR TO FITTING

- Please note prior to fitting your Bath carefully remove all the packaging and film from the bath and examine the bath for damage and suitability of colour match
- Check the panel fit and match prior to installation

No Claims for the above will be accepted once the bath is fitted

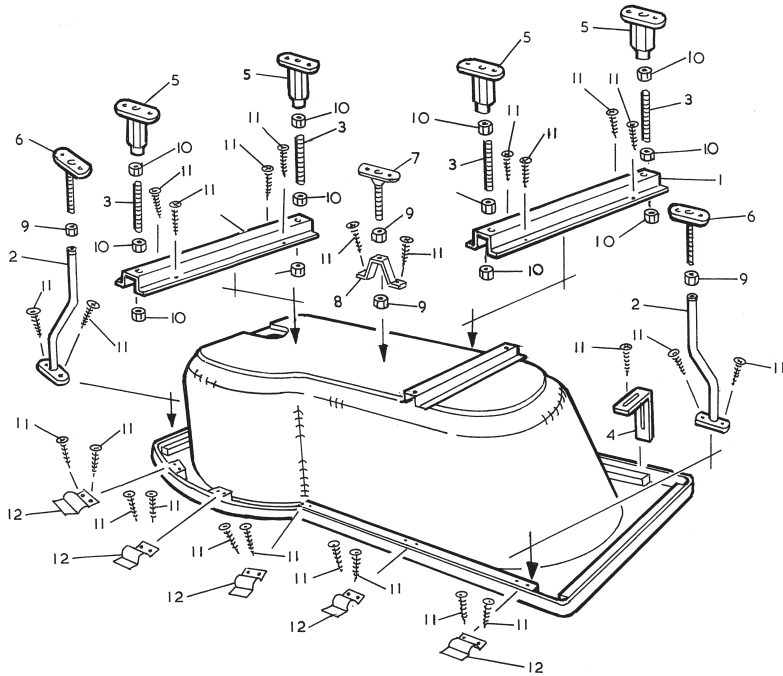
List of Parts Supplied:

Item No.	Quantity	Description	Checked
1	2	500mm Channels	
2	2	350mm Jack Legs	
3	4	120mm allthreads	
4	2	Wall Fixing Brackets	
5	4	M12 x 65mm Plastic Foot	
6	2	M10 x 200 Metal Feet	
7	1	M10 x 90mm Centre Foot	
8	1	Centre Foot Bracket	
9	4	M10 Nuts	
10	12	M12 Nuts	
11	36	16mm Self Tapping Screws	
12	8	White Plastic Panel Clips	
13	1	Fitting Instructions	YES

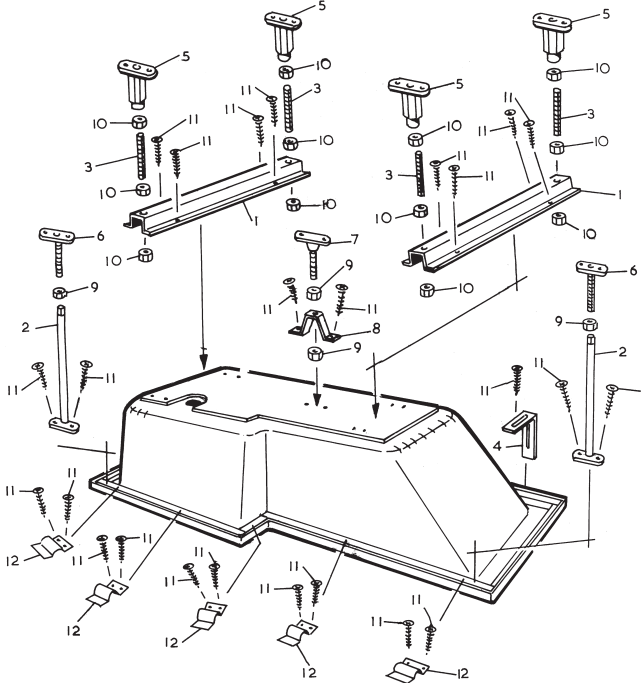
Please Note:

- Baths should be set at supplied panel height.
- The 18mm baseboard is encapsulated on all baths listed above (i.e. under the GRP reinforcement).
- Half of the panel clips supplied should be secured (if possible) to the floor.
- Panel Clips are not required on double ended baths.

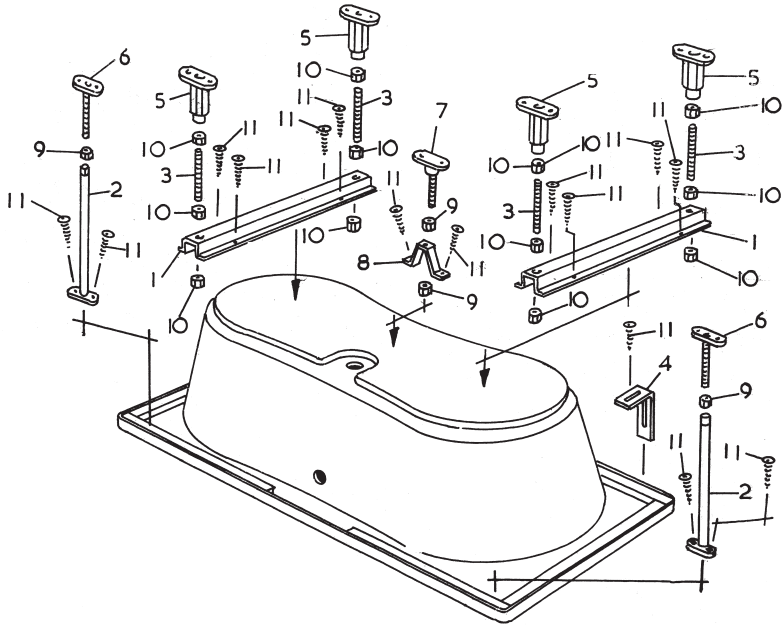
CURVED SHOWER BATH



L SHAPED SHOWER BATH



DOUBLE ENDED BATH



BOWFRONT BATH

